



Model OT-PLC302POC/PDU
4-Ch Ethernet & Power Receiver Hub
Product Datasheet



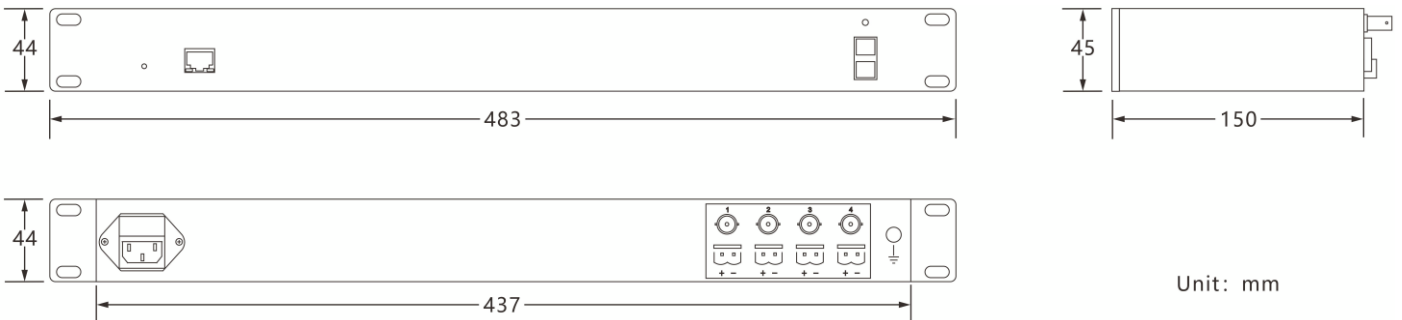
OT-PLC302POC/PDU is a 4-Ch Ethernet & Power Receiver Hub. It simultaneously receives Ethernet and power signals over a single pair of 2-wire cables, such as coaxial cable, twisted pair, Cat5, power lines, and more.

This product is widely used in network extension systems, network security systems, information publishing systems, network renovation and expansion projects, as well as in industries like railways, urban traffic, and more.

Features

- ◆ Max PoE distance can reach 500m
- ◆ Full duplex 100Mbps
- ◆ Transmit high-speed network data and power signal over any 2-wire
- ◆ Transparent transmission with no need for adjustments or software changes
- ◆ 19-inch rack-mountable, plug and play

Dimension



Unit: mm

Note: Dimension error value ± 1 mm

Interface Description



Technical Parameter

Category		Description
Power	Power Input	100 ~ 240VAC
	Power Consumption	≤15W / PC
	Total PoE Output	48VDC / 160W
Transmission / Rate	Standard Compliance	IEEE 802.3, IEEE 802.3u
	Bandwidth	Full duplex 100Mbps
Physical Characteristic	Dimensions (L x W x H)	483x44x150mm
	Material	Aluminum
	Net Weight	2.1KG/PC
Operating Environment	Working Temperature	-20°C~60°C
	Working Humidity	<95% (Non-condensation)

Power, Bandwidth & Distance Table

Receiver <- -> Transmitter		Cable 2x0.75 mm ²			
Receiver power supply type		Line 1	Line 2	Line 3	Line 4
Distance 100 M	Bandwidth (Mbps)	22	22	22	22
	PoE (W)	22	22	22	22
Distance 200 M	Bandwidth (Mbps)	20	20	20	20
	PoE (W)	20	20	20	20
Distance 300 M	Bandwidth (Mbps)	19	19	19	19
	PoE (W)	18	18	18	18
Distance 400 M	Bandwidth (Mbps)	18	18	18	18
	PoE (W)	12	12	12	12
Distance 500 M	Bandwidth (Mbps)	15	15	15	15
	PoE (W)	10	10	10	10

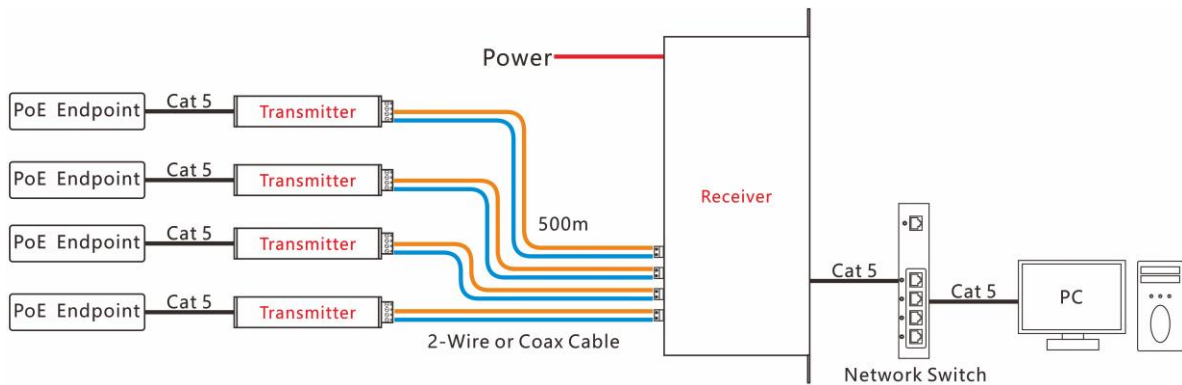
Receiver <- -> Transmitter		Coaxial Cable			
Receiver power supply type		Line 1	Line 2	Line 3	Line 4
Distance 100 M	Bandwidth (Mbps)	22	22	22	22
	PoE (W)	22.4	22.4	22.4	22.4
Distance 200 M	Bandwidth (Mbps)	20.5	20.5	20.5	20.5
	PoE (W)	20.7	20.7	20.7	20.7
Distance 300 M	Bandwidth (Mbps)	20.5	20.5	20.5	20.5
	PoE (W)	20	20	20	20
Distance 400 M	Bandwidth (Mbps)	18.5	18.5	18.5	18.5
	PoE (W)	13	13	13	13
Distance 500 M	Bandwidth (Mbps)	16.5	16.5	16.5	16.5
	PoE (W)	11	11	11	11

Note:

The actual data speed and PoE performance can vary by the environmental conditions and the cable qualities.

Installation Diagram

The 4-ch Ethernet and power receiver hub (OT-PLC302POC/PDU) can be used in conjunction with the PoE Extender (OT-PLC302POE). By providing 100~240VAC power to the hub, the PoE extenders and PoE cameras no longer require an additional power supply.



Shaoxing Ourten Electronics Co., Ltd.

#1 Liando U Valley, No. 1999 Wuxing West Road, Shangyu, Zhejiang, China

Tel: +86-21-5888 9980 (+86-575-8213 7256); Fax: +86-575-8212 7256

Email: sales@ourten.com

www.ourten.com

Thank you for choosing Ourten!