

Model OT-PLC602POE-2P

PoE Extender

Product Datasheet



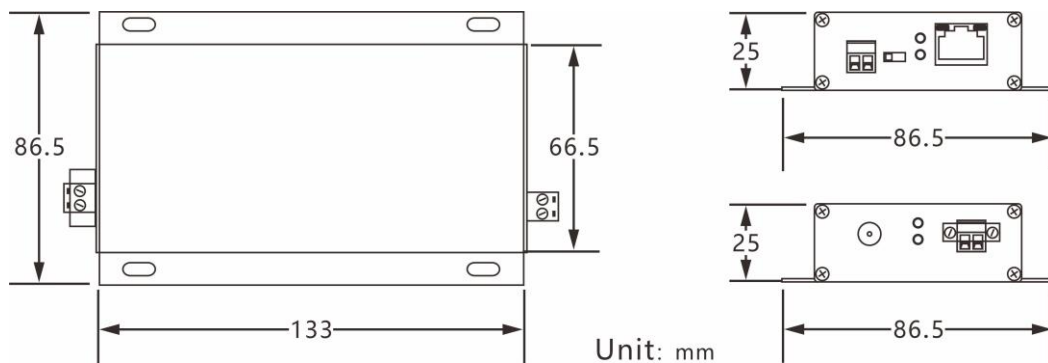
OT-PLC602POE-2P is a high-speed PoE extender that transmits both Ethernet and PoE signals over a single pair of 2-wire cables. This device supports both PoC and PoE functions. Additionally, it features a DIP switch design that allows selection of a 12VDC output mode for non-PoE devices.

This device contains one Receiver unit and one Transmitter unit, and can be connected to the existing cabling infrastructure for IoT devices including IP phones, cameras, access control, speakers and etc.

Features

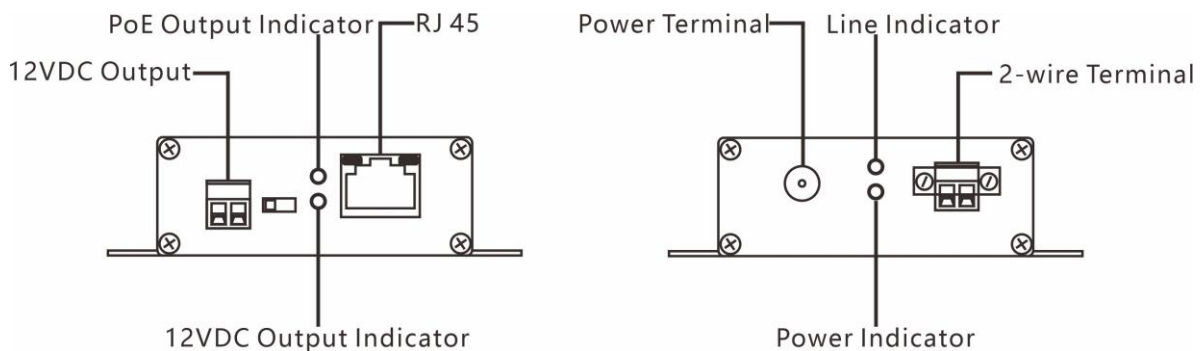
- ◆ Max Transmission PoE distance can reach 500m
- ◆ Full duplex 100Mbps
- ◆ Support power over cable technology
- ◆ Dip switch for power output: 12VDC/2A or PoE
- ◆ Built-in ESD protection circuit, in case of static damage

Dimension



Note: Dimension error value ± 1 mm

Interface Description



Technical Parameter

Category		Description	
Power Input	DC Input	12VDC, 48 ~ 56VDC	
	Power Consumption	≤3W / PC	
Power Output	Dip Switch	RJ45/PoE output	Standard 48VDC; IEEE802.3af/at
		2P DC output	12VDC 2A (overload protection)
Transmission / Rate	Standard Compliance		IEEE802.3u
	Up Down Agreement		CSMA/CA
	Bandwidth		Full duplex 100Mbps
	Encryption Way		128-bit AES Encryption
Physical Characteristic	Dimension (L x W x H)		133x86.5x25mm
	Material		Aluminum
	Net Weight		220g / PC
Operating Environment	Working Temperature		-20°C~60°C
	Working Humidity		<95% (Non-condensation)

Power, Bandwidth & Distance Table

Receiver <- -> Transmitter		Cable 2x0.75 mm ²	
Receiver power supply type		PoE 30 W	DC 48V (1.25A)
Distance 100 M	Bandwidth (Mbps)	92	92
	PoE (W)	21	25.3
Distance 200 M	Bandwidth (Mbps)	86	86
	PoE (W)	20.4	23.1
Distance 300 M	Bandwidth (Mbps)	82	82
	PoE (W)	19.6	20.5
Distance 400 M	Bandwidth (Mbps)	80	80
	PoE (W)	12	10.5
Distance 500 M	Bandwidth (Mbps)	78	78
	PoE (W)	11	9

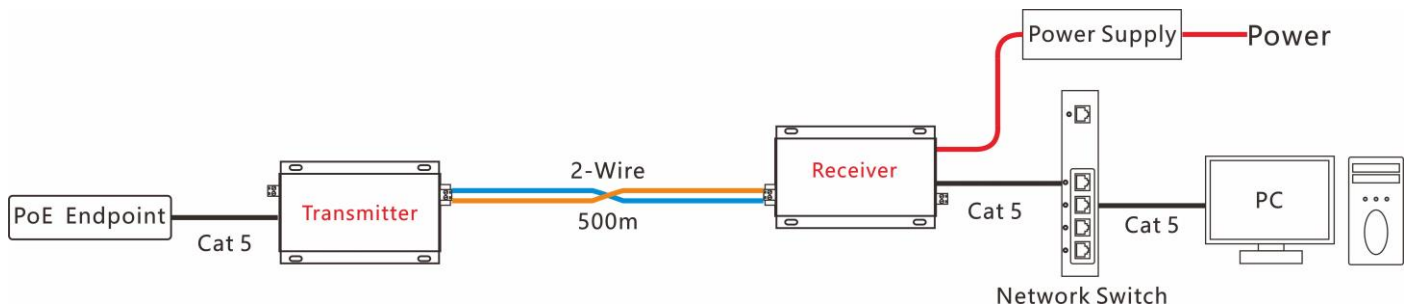
Receiver <- -> Transmitter		Coaxial Cable	
Receiver power supply type		PoE 30 W	DC 48V (1.25A)
Distance 100 M	Bandwidth (Mbps)	93	93
	PoE (W)	22.4	25.8
Distance 200 M	Bandwidth (Mbps)	86.5	86.5
	PoE (W)	20.7	21.5
Distance 300 M	Bandwidth (Mbps)	84	84
	PoE (W)	20	20.5
Distance 400 M	Bandwidth (Mbps)	82	82
	PoE (W)	13	12.5
Distance 500 M	Bandwidth (Mbps)	80.5	80.5
	PoE (W)	12	9

Note:

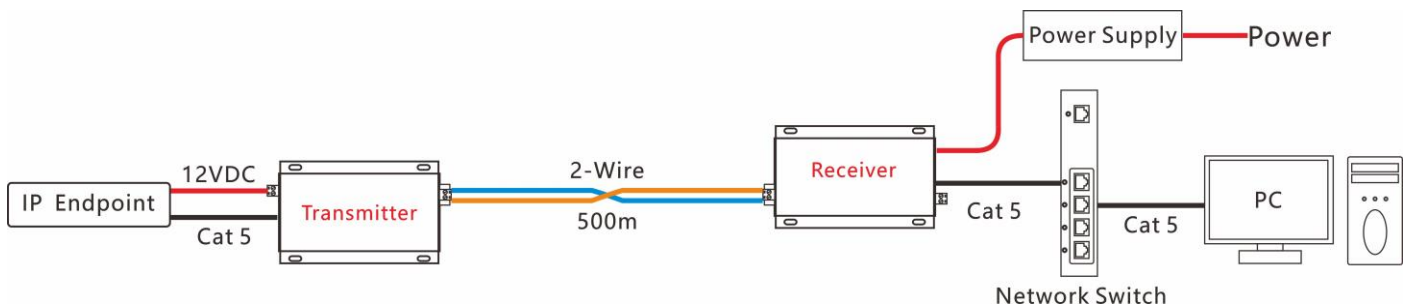
The actual data speed and PoE performance can vary by the environmental conditions and the cable qualities.

Installation Diagram

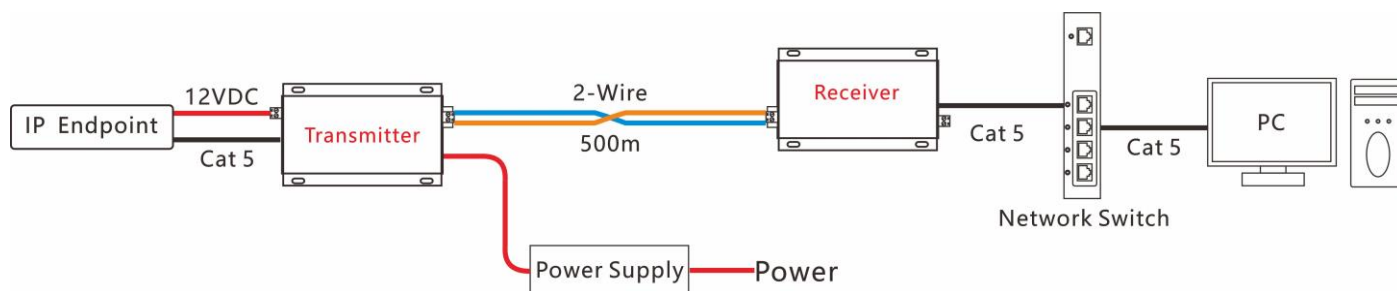
1. Provide PoE Power Supply for front-end PoE device (The device only supports PoE output, don't support PoE Input).



2. Provide low voltage 12VDC for front-end device.



3. When the transmission distance is long, to prevent excessive voltage drop, a 48~56VDC power supply is provided to the transmitter unit. This power also supplies the receiver unit simultaneously.



Shaoxing Ourten Electronics Co., Ltd.

#1 Liando U Valley, No. 1999 Wuxing West Road, Shangyu, Zhejiang, China

Tel: +86-21-5888 9980 (+86-575-8213 7256); Fax: +86-575-8212 7256

Email: sales@ourten.com

www.ourten.com

Thank you for choosing Ourten!