

Model OT-PLC604-TL
4-Ch Ethernet Extender
Product Datasheet



CE FC RoHS  

www.ourten.com

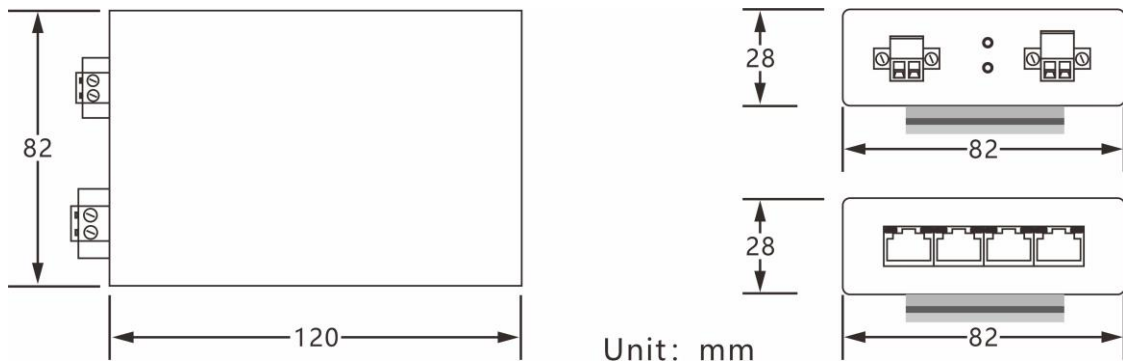
OT-PLC604-TL is a high-speed 4-Channel Ethernet Extender with Din-rail installation. It can simultaneous transmit 4-channel Ethernet over any 2-wire cable such as Cat5, coaxial cable, telephone line, power line and so on.

This device needs to be used with an Ethernet Receiver. It is widely used in network extension systems, network security systems, information publishing systems, network renovation and expansion projects, as well as in industries like railways, urban traffic, and more.

Features

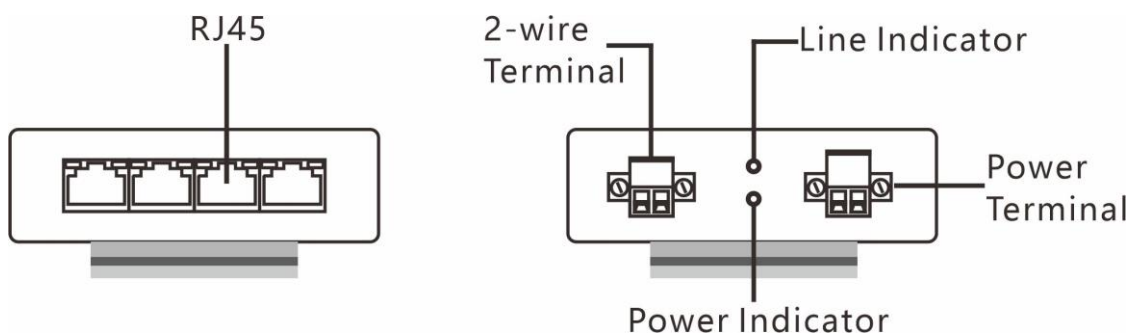
- ◆ IP over one pair 2-wire cable up to 600m
- ◆ Full duplex 100Mbps
- ◆ 35mm guide rail type installation, wide input voltage range
- ◆ Plug and play, transparent transmission, no adjustment and no need to change the upper software

Dimension



Note: Dimension error value ± 1 mm

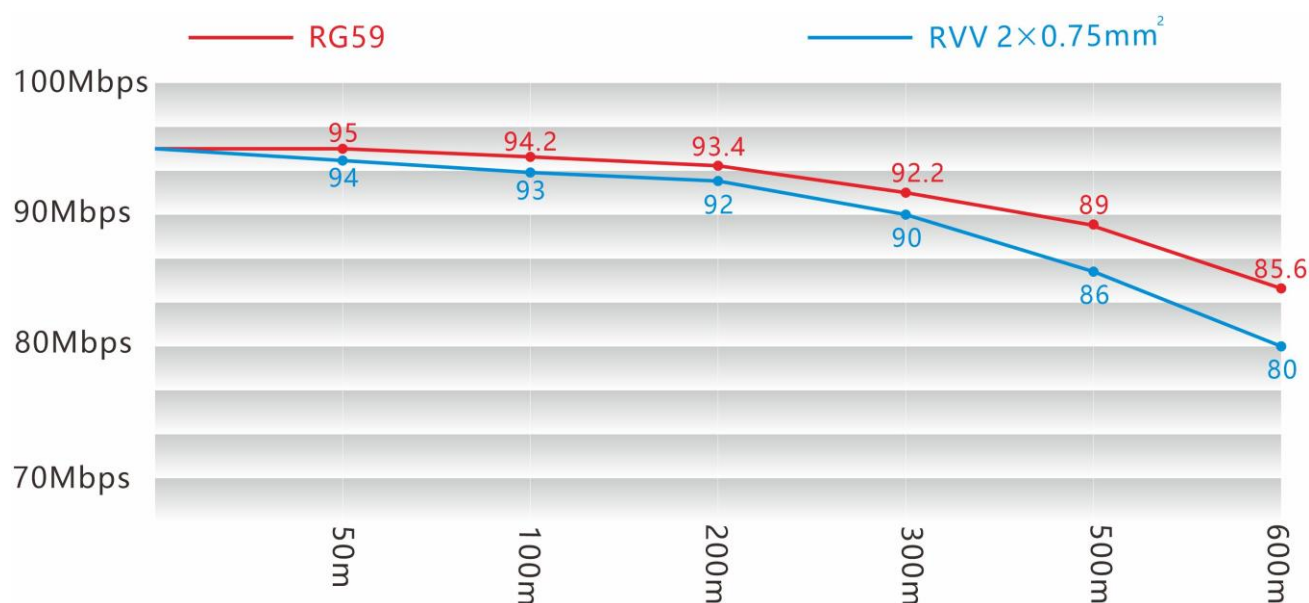
Interface Description



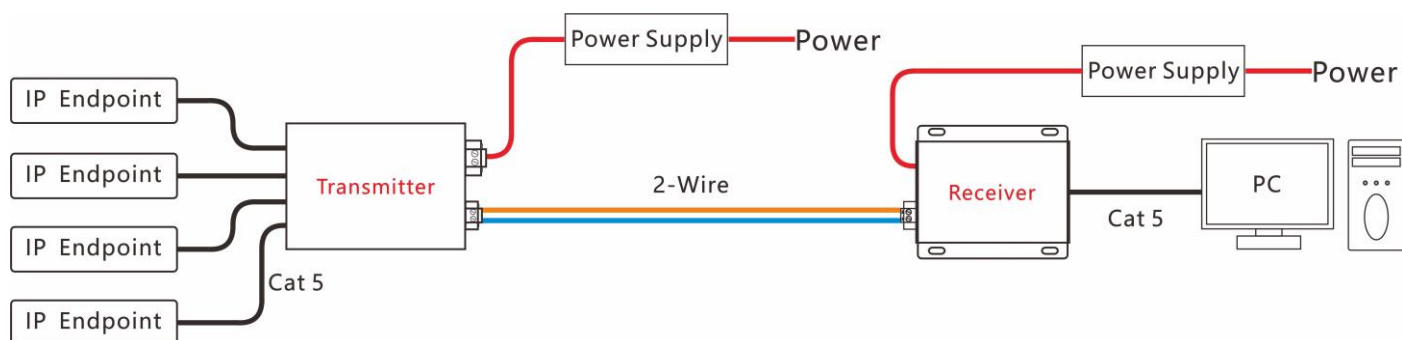
Technical Parameter

Category		Description
Power	Available Voltage Range	12~24VDC
	Power Consumption	≤3W / PC
Transmission / Rate	Standard Compliance	IEEE1901, IEEE802.3
	Up Down Agreement	CSMA/CA
	Bandwidth	Full duplex 100Mbps
Physical Characteristic	Dimensions (L × W × H)	120×82×28mm
	Material	Aluminum
	Net Weight	230g/PC
Operating Environment	Working Temperature	-20°C~60°C
	Working Humidity	<95% (Non-condensation)

Bandwidth & Distance Chart



Installation Diagram



Shaoxing Ourten Electronics Co., Ltd.

#1 Liando U Valley, No. 1999 Wuxing West Road, Shangyu, Zhejiang, China

Tel: +86-21-5888 9980 (+86-575-8213 7256); Fax: +86-575-8212 7256

Email: sales@ourten.com

www.ourten.com

Thank you for choosing Ourten!