

# Model OT-PLC302POE

## Mini PoE Extender

### Product Datasheet



CE FC RoHS  

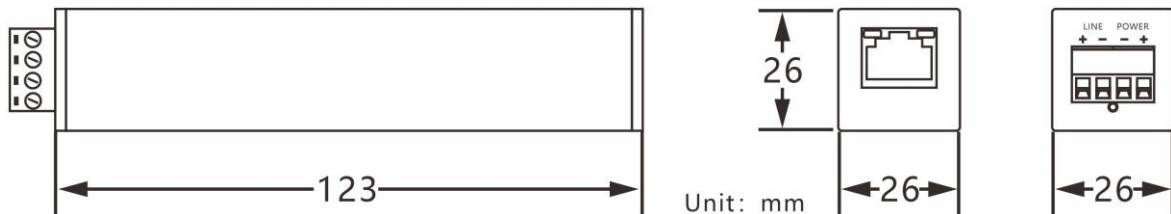
**OT-PLC302POE** is a high-speed Mini PoE Extender. It can transmit Power and Ethernet signals together over any pair of 2-wire such as Cat5, coaxial cable and power line, etc.

This device contains one Receiver unit and one Transmitter unit, and can be connected to the existing cabling infrastructure for IoT devices including IP phones, cameras, access control, speakers and etc.

## Features

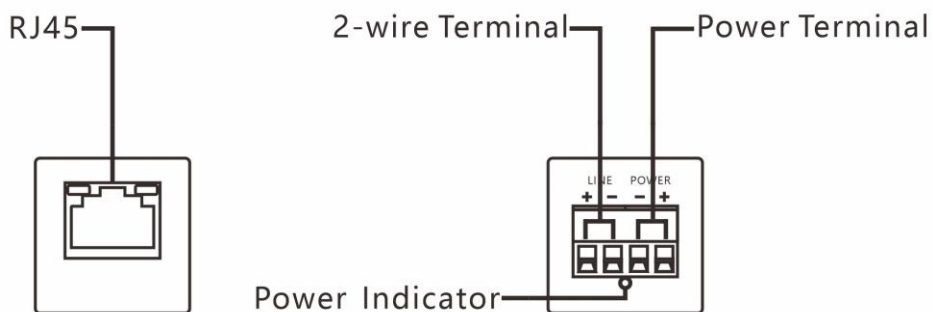
- ◆ PoE over 1 pair 2-wire cable up to 500m
- ◆ Full duplex 100Mbps
- ◆ Powered by 48-56VDC
- ◆ Transparent transmission

## Dimension



**Note: Dimension error value  $\pm 1$  mm**

## Interface Description



## Technical Parameter

Category		Description
<b>Power</b>	Available Voltage Range	48~56VDC
	Power Consumption	≤3W / PC
	PoE Power Output	Standard 48VDC; IEEE802.3af/at
<b>Transmission / Rate</b>	Standard Compliance	IEEE1901, IEEE802.3
	Up Down Agreement	CSMA/CA
	Bandwidth	Full duplex 100Mbps
<b>Physical Characteristic</b>	Dimensions (L × W × H)	123×26×26mm
	Material	Aluminum
	Net Weight	115g / PC
<b>Operating Environment</b>	Working Temperature	-20°C~60°C
	Working Humidity	<95% (Non-condensation)

## Power, Bandwidth & Distance Table

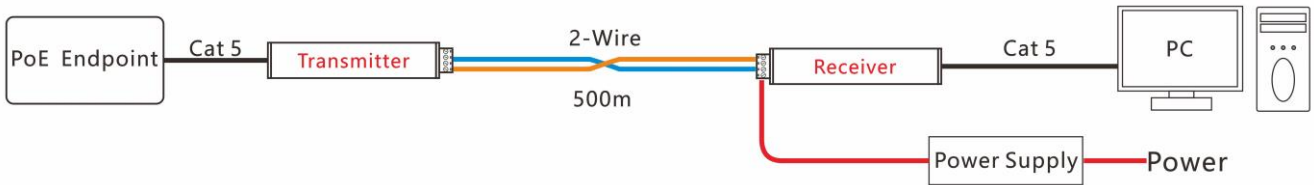
Receiver <- -> Transmitter		Cable 2×0.75 mm <sup>2</sup>	
Receiver power supply type		DC 48V (1.25A)	DC 56V (1.1A)
<b>Distance 100 M</b>	<b>Bandwidth (Mbps)</b>	92	92
	<b>PoE (W)</b>	24.1	29.5
<b>Distance 200 M</b>	<b>Bandwidth (Mbps)</b>	86	86
	<b>PoE (W)</b>	22.8	29.5
<b>Distance 300 M</b>	<b>Bandwidth (Mbps)</b>	82	82
	<b>PoE (W)</b>	19.1	28
<b>Distance 400 M</b>	<b>Bandwidth (Mbps)</b>	80	80
	<b>PoE (W)</b>	10.5	25.5
<b>Distance 500 M</b>	<b>Bandwidth (Mbps)</b>	78	78
	<b>PoE (W)</b>	9	24

Receiver <- -> Transmitter		Coaxial Cable	
Receiver power supply type		DC 48V (1.25A)	DC 56V (1.1A)
Distance 100 M	Bandwidth (Mbps)	93	93
	PoE (W)	25.2	29.5
Distance 200 M	Bandwidth (Mbps)	86.5	86.5
	PoE (W)	21.5	29.5
Distance 300 M	Bandwidth (Mbps)	84	84
	PoE (W)	20.5	28
Distance 400 M	Bandwidth (Mbps)	82	82
	PoE (W)	12.5	25.5
Distance 500 M	Bandwidth (Mbps)	80.5	80.5
	PoE (W)	9	23.5

**Note:**

The actual data speed and PoE performance can vary by the environmental conditions and the cable qualities.

### Connection Diagram



Shaoxing Ourten Electronics Co., Ltd.

#1 Liando U Valley, No. 1999 Wuxing West Road, Shangyu, Zhejiang, China

Tel: +86-21-5888 9980 (+86-575-8213 7256); Fax: +86-575-8212 7256

Email: sales@ourten.com

www.ourten.com

Thank you for choosing Ourten!